

Copyright reserved No. 2018



Electrical Components



Corporate Office:
Level 36 Riparian Plaza
71 Eagle Street
Brisbane 4000
QLD Australia

Phone: 1300 347 922
Email: sales@znergy.com.au
Website: www.znergy.com.au





ABOUT US

Znergy® brand means high quality and technologically advanced products. As an Australian brand, we endeavor to be innovative and at the forefront of technological advancements.

Our brand is reliable and market tested. Our products are designed by top of the class engineering team, and are manufactured according to IEC and AS/NZS Standards. These products have been independently lab tested and have obtained SAA certification as qualification mark.

Znergy Australia as part of the Aryam Australia Group is a globally invested enterprise with cutting edge technology. Our strategic partnerships globally allow us to be at the forefront of innovation. Today we are delivering quality products in many sectors including electrical cable, switchgear, solar power and electrical components industry.

Our other market leading partners include:
Znergy Cable (LV & HV electrical Cable) – www.znergycable.com
Znergy Australia (Switchgear & electrical components) – www.znergy.com.au
Aryam Energy (Solar and renewable) – www.znergy.com.au



Distribution Box/Switchboard

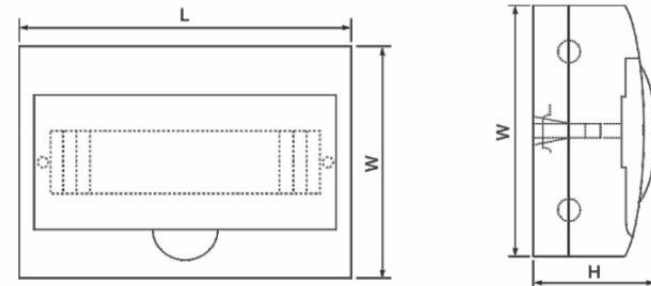
Features:

- Standard: IEC60439-3
- Electric ratings: up to 100A, 240/415V, AC 50/60Hz
- No. Of mounted units: 4, 6, 8, 10, 12, 18, 24, 36 ways
- On-load current (A): 100/1-phase, 63/3-phase
- IP Rating: 40
- Material of body: HIPS, ABS, ABS-UV Fire Resistant
- Transparent Door: AS, UV Resistant PC

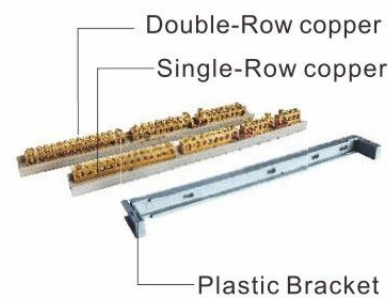


Z-MS Series of Surface Mounting

| Part No. | Dimensions (mm) | | | Qty/Ctn (pcs) |
|--------------|-----------------|-----|-----|---------------|
| | L | W | H | |
| Z-MS 4 Ways | 112 | 201 | 100 | 20 |
| Z-MS 6 Ways | 148 | 201 | 100 | 20 |
| Z-MS 8 Ways | 184 | 201 | 100 | 20 |
| Z-MS 10 Ways | 220 | 201 | 100 | 10 |
| Z-MS 12 Ways | 256 | 201 | 100 | 10 |
| Z-MS 18 Ways | 364 | 222 | 100 | 10 |
| Z-MS 24 Ways | 270 | 325 | 100 | 10 |
| Z-MS 36 Ways | 305 | 473 | 100 | 5 |

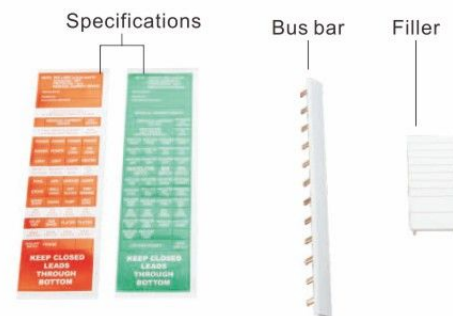


Lock available



Double-Row copper
Single-Row copper

Plastic Bracket



Specifications

Bus bar

Filler

Distribution Box/Switchboard

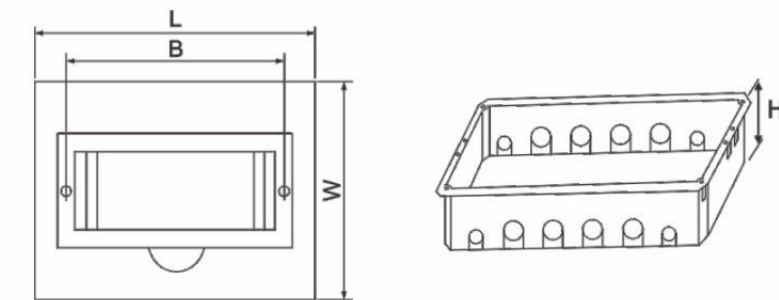
Features:

- Standard: IEC60439-3
- Electric ratings: up to 100A, 240/415V, AC 50/60Hz
- No. Of mounted units: 4, 6, 8, 12, 15, 18, 24, 36 ways
- On-load current (A): 100/1-phase, 63/3-phase
- IP Rating: 40
- Material of Body: HIPS, ABS, ABS-UV Fire Resistant
- Transparent Door: AS, UV Resistant PC



Z-MF Series of Flush Mounting

| Part No. | Dimensions (mm) | | | | Qty/Ctn (pcs) |
|--------------|-----------------|-----|-----|-----|---------------|
| | L | W | H | B | |
| Z-MF4Ways | 136 | 222 | 93 | 86 | 20 |
| Z-MF6Ways | 172 | 222 | 93 | 122 | 20 |
| Z-MF/D6Ways | 192 | 247 | 93 | 122 | 20 |
| Z-MF8Ways | 208 | 222 | 93 | 158 | 20 |
| Z-MF/D8Ways | 228 | 247 | 93 | 158 | 20 |
| Z-MF12Ways | 280 | 222 | 93 | 230 | 10 |
| Z-MF/D12Ways | 305 | 247 | 93 | 230 | 10 |
| Z-MF15Ways | 334 | 222 | 93 | 283 | 10 |
| Z-MF/D15Ways | 354 | 247 | 93 | 283 | 10 |
| Z-MF18Ways | 398 | 252 | 103 | 338 | 5 |
| Z-MF/D18Ways | 415 | 270 | 103 | 238 | 5 |
| Z-MF24Ways | 300 | 345 | 103 | 232 | 5 |
| Z-MF/D24Ways | 305 | 355 | 103 | 232 | 5 |
| Z-MF36Ways | 341 | 503 | 103 | 265 | 5 |



Weather proof Switchboard

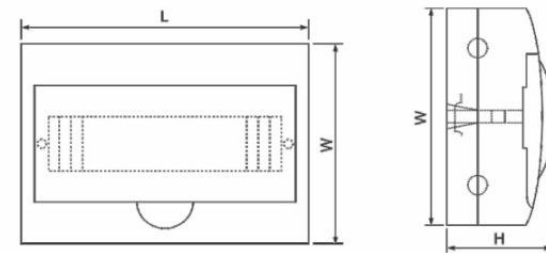
Features:

- Standard: IEC60529 EN60309
- Electric ratings: up to 100A, 240/415V, AC 50/60Hz
- No. Of mounted units: 4, 6, 9, 12, 18, 24, 36 ways
- On-load current(A): 100/1-phase, 63/3-phase
- IP Rating: 65
- Material: PC- UV Fire Resistant



Z-WSN Series of Surface Mounting

| Part No. | Dimensions(mm) | | | Qty/Ctn(pcs) |
|---------------|----------------|-----|-----|--------------|
| | L | W | H | |
| Z-WSN 6 Ways | 165 | 100 | 165 | 20 |
| Z-WSN 9 Ways | 219 | 100 | 219 | 10 |
| Z-WSN 12 Ways | 273 | 110 | 273 | 10 |
| Z-WSN 18 Ways | 381 | 110 | 381 | 10 |
| Z-WSN 24 Ways | 273 | 110 | 273 | 5 |



Weather proof Switchboard

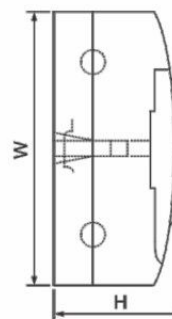
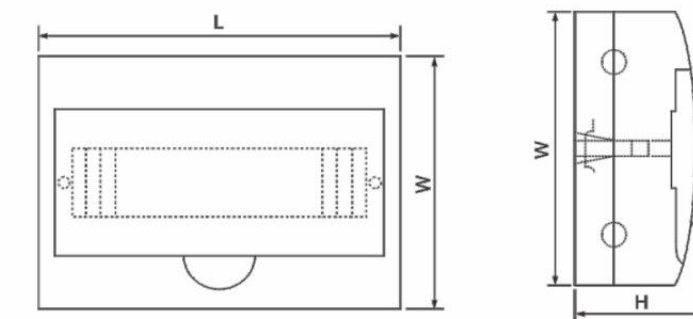
Features:

- Standard: IEC60439-3
- Electric ratings: up to 100A, 240/415V, AC 50/60Hz
- No. Of mounted units: 4, 6, 8, 12, 18, 24, ways
- On-load current(A): 100/1-phase, 63/3-phase
- IP Rating: 56
- Material of body: HIPS, ABS, ABS-UV Fire Resistant
- Transparent Door: AS, UV Resistant PC
- Lock available



Z-WS Series of Surface Mounting

| Part No. | Dimensions(mm) | | | Qty/Ctn(pcs) |
|--------------|----------------|-----|-----|--------------|
| | L | W | H | |
| Z-WS 4 Ways | 126 | 215 | 100 | 20 |
| Z-WS 6 Ways | 163 | 215 | 100 | 20 |
| Z-WS 8 Ways | 217 | 215 | 100 | 20 |
| Z-WS 12 Ways | 272 | 215 | 100 | 12 |
| Z-WS 18 Ways | 380 | 235 | 100 | 8 |
| Z-WS 24 Ways | 285 | 340 | 100 | 8 |



Distribution Box/Switchboard

Features:

- Standard: IEC60439-3
- Electric ratings: up to 63A, 240/415V, AC 50/60Hz
- No. Of mounted units: 1, 2, 4, 6, 8, 12, 18 poles
- IP Rating: 30
- Material of Body: HIPS, ABS, ABS-UV Fire Resistant
- Lock available



TX-H Series of Surface Mounting

| Part No. | Dimensions(mm) | | | Qty/Ctn(pcs) |
|--------------|----------------|-----|----|--------------|
| | L | W | H | |
| TX-H 1 Pole | 34 | 130 | 60 | 200 |
| TX-H 2 Pole | 52 | 130 | 60 | 200 |
| TX-H 4 Pole | 87 | 130 | 60 | 100 |
| TX-H 6 Pole | 123 | 160 | 60 | 50 |
| TX-H 8 Pole | 160 | 160 | 60 | 50 |
| TX-H 12 Pole | 260 | 160 | 60 | 20 |
| TX-H 18 Pole | 365 | 160 | 60 | 20 |

Dimensions(mm)

Features:

- Standard: IEC60439-3
- Electric ratings: up to 63A, 240/415V, AC 50/60Hz
- No. Of mounted units: 1, 2, 3, 4 poles
- IP Rating: 30
- Material of Body: HIPS, ABS, ABS-UV Fire Resistant
- Lock available

Z-HG series of Surface Mouning

| Part No. | Dimensions(mm) | | | Qty/Ctn(pcs) |
|-------------|----------------|----|----|--------------|
| | L | W | H | |
| Z-HG 1 Pole | 133 | 35 | 69 | 100 |
| Z-HG 2 Pole | 133 | 53 | 69 | 100 |
| Z-HG 3 Pole | 133 | 70 | 69 | 50 |
| Z-HG 4 Pole | 153 | 88 | 69 | 50 |

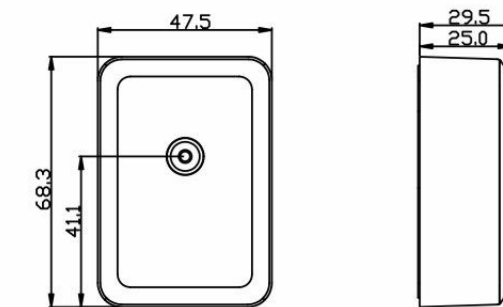
Distribution Box/Switchboard

Features:

Mounting Enclosures

| Part No. | Dimensions(mm) | | | Qty/Ctn(pcs) |
|----------|----------------|------|------|--------------|
| | L | W | H | |
| ZJB3M | 68.3 | 47.5 | 29.5 | 200 |
| ZJB4M | 68.3 | 47.5 | 29.5 | 200 |
| ZJB3MC | 68.3 | 47.5 | 29.5 | 200 |
| ZJB4MC | 68.3 | 47.5 | 29.5 | 200 |

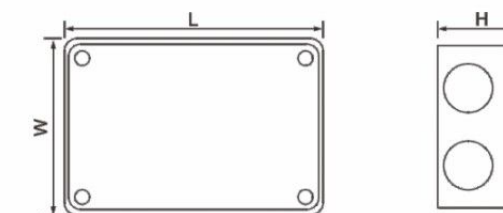
Dimensions(mm)



Mounting Enclosures

| Part No. | Dimensions(mm) | | | Qty/Ctn(pcs) |
|----------|----------------|-----|----|--------------|
| | L | W | H | |
| ZME1 | 110 | 75 | 55 | 100 |
| ZME2 | 160 | 115 | 70 | 50 |

Dimensions(mm)



Weather proof Switch



Features:

- Approval No.: GMA-500138-EA
- Complied with AS/NZS 3133
- Rated Voltage: 250V AC
- Rated Frequency: 50Hz
- IP Protection: IP66

| Part No. | Rating(Amps) | Specification | Qty/Ctn(pcs) |
|----------|--------------|---------------|--------------|
| ZWS116 | 16 | 1 gang switch | 40 |
| ZWS216 | 16 | 2 gang switch | |

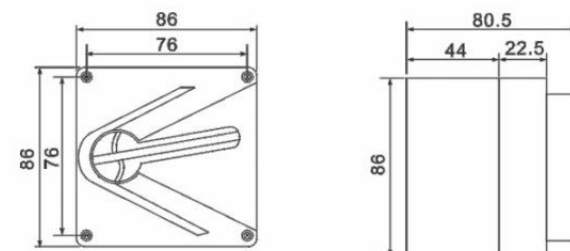
Mini Weatherproof Switches

Features:

- Approval No.: SAA-150592-EA and SAA150742
Certified to AS/NZS 3133 and AS/NZS 3100
- Compact size of 86×86×81mm
- Large rotary handle for easy operation even with gloved hands
- Padlock facility with 8mm pole in OFF position
- Ample conduit entries in the base, 2×25mm plain, 2×20mm and 1×20mm on each side of box as well as 1×25mm rear entry for back wiring
- IP Protection: IP66



| Part No. | Rating(Amps) | Specification | Qty/Ctn(pcs) |
|----------|--------------|---------------|--------------|
| ZWIS116 | 16 | 1 pole, 1 way | 50 |
| ZWIS120 | 20 | | |
| ZWIS135 | 35 | | |
| ZWIS216 | 16 | | |
| ZWIS220 | 20 | 2 pole, 2 way | |
| ZWIS235 | 35 | | |



Weather proof Isolator Switch

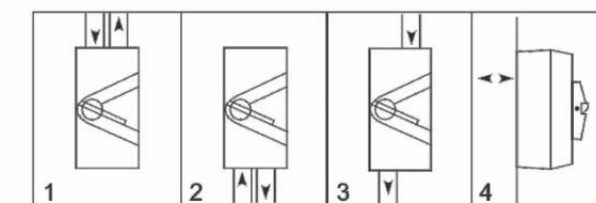
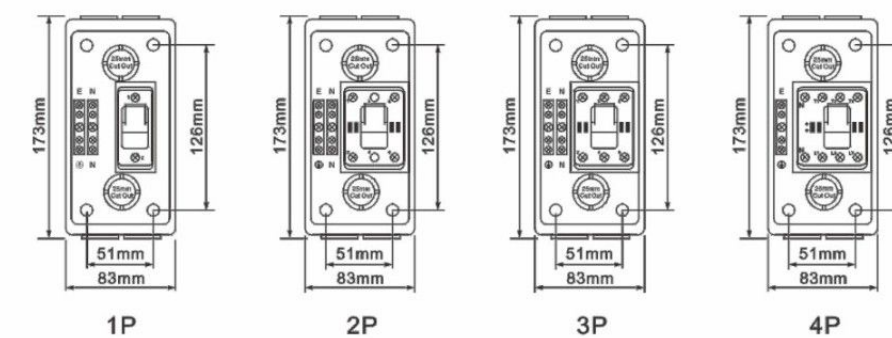


Features:

- Approval No.: SAA121854
- Certified to AS/NZS 3947.3, IEC/EN60947-3
- Fix Neutral and Earth bars included
- Dual 25mm screwed conduit entries on top and bottom
- Utilization Category: AC22A/AC23A
- IP66 Rating on all models
- Number of Pole: 1/2/3/4 poles
- Rated Voltage: 250V~(1P)/500~(2P,3P,4P)
- Rated Frequency: 50/60Hz
- IP Protection: IP66

| Part No. | Rating (Amps) | Poles | Voltage | M-Rating | | Qty/Ctn(pcs) |
|----------|---------------|-------|---------|----------|------|--------------|
| | | | | AS3133 | M140 | |
| ZIS120 | 20 | 1 | 250 | M140 | 20 | |
| ZIS135 | 35 | | | M180 | | |
| ZIS163 | 63 | | | M200 | | |
| ZIS220 | 20 | 2 | 500 | M140 | 20 | |
| ZIS235 | 35 | | | M180 | | |
| ZIS263 | 63 | | | M200 | | |
| ZIS320 | 20 | 3 | 500 | M100 | 20 | |
| ZIS335 | 35 | | | M140 | | |
| ZIS363 | 63 | | | M200 | | |
| ZIS420 | 20 | 4 | 500 | M100 | 20 | |
| ZIS435 | 35 | | | M140 | | |
| ZIS463 | 63 | | | M200 | | |

Dimensions(mm)



weather proof Switched Socket-Outlet

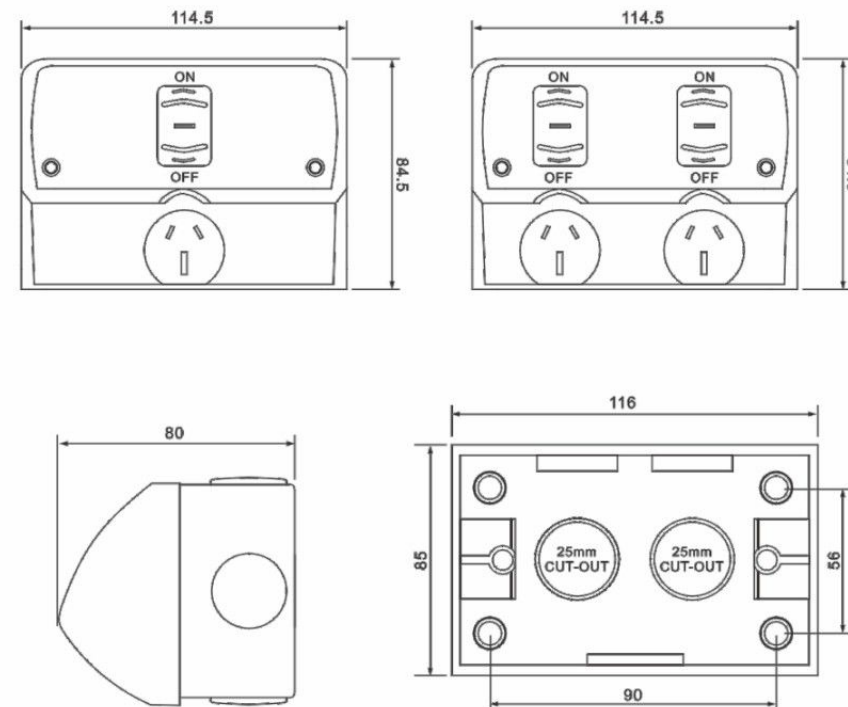
Features:

- Approval No.: SAA130706EA
- Certified to AS/NZS 3112 and AS/NZS 3133
- Rated Voltage: 250V AC
- Rated Frequency: 50/60Hz
- IP Protection: IP53



| Part No. | Rating (Amps) | Specification | Qty/Ctn(pcs) |
|----------|---------------|-------------------------|--------------|
| ZWPS110H | 10 | 1 gang switch half size | 60 |
| ZWPS115H | 15 | 1 gang switch half size | 60 |
| ZWPS110 | 10 | 1 gang switch | 40 |
| ZWPS115 | 15 | 1 gang switch | 40 |
| ZWPS210 | 10 | 2 gang switch | 40 |
| ZWPS215 | 15 | 2 gang switch | 40 |

Dimensions(mm)



weather proof Switched Socket-Outlet

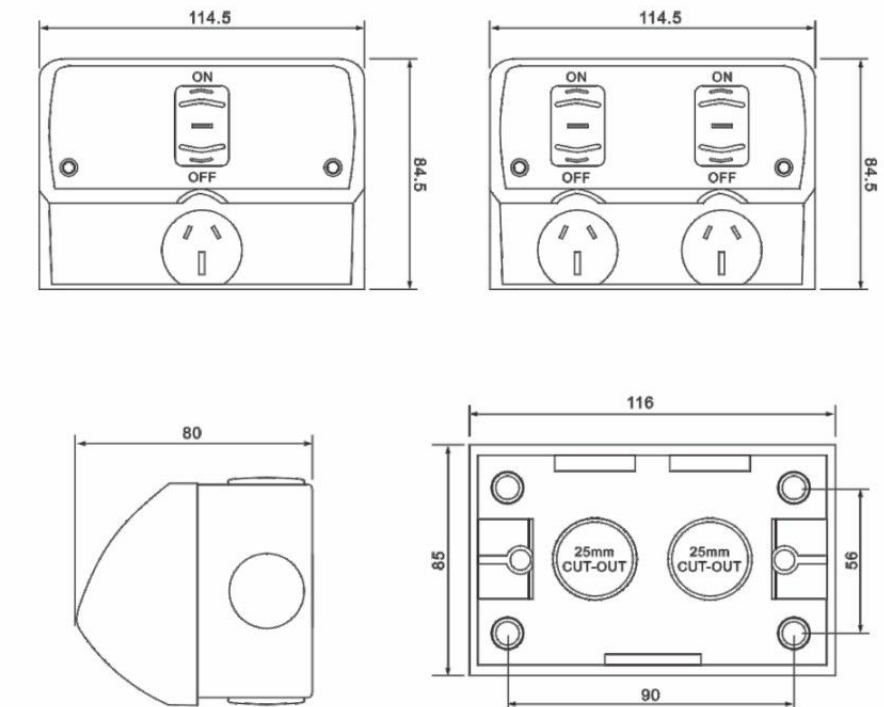
Features:

- Approval No.: SAA-162379-EA
- Certified to AS/NZS 3112, AS/NZS3100 and AS/NZS 3133
- Rated Voltage: 250VAC
- Rated Frequency: 50/60HZ
- IP Protection: IP53



| Part No. | Rating (Amps) | Specification | Qty/Ctn(pcs) |
|----------|---------------|--------------------------|--------------|
| ZWPSN210 | 10 | 2 gang switch | 40 |
| ZWPSN310 | 10 | 2 gang with extra switch | 40 |

Dimensions(mm)



Metal Enclosure



References and details of enclosures

| External dimensions (mm) | | | enclosures | | | | mounting plates | | | Dinimet assembly | 19"RAC swing frame | internal door |
|--------------------------|-----------|-----------|------------|--------------------------|---|---------------------|-----------------|-------|------|------------------------------------|--------------------|---------------|
| height (A) | width (B) | depth (C) | Part No. | flange fig. opening type | D | approx weighth (kg) | metal | isul. | part | mounting plate adjustable supports | | |
| 250 | 200 | 150 | Z-2520/150 | 1 | 0 | 125 | • | • | | | | |
| 300 | 250 | 150 | Z-3025/150 | 1 | A | 150 | • | • | | | | |
| 300 | 250 | 200 | Z-2520/200 | 1 | A | 150 | • | • | | | | |
| 300 | 300 | 150 | Z-33/150 | 1 | B | 150 | • | • | | | | |
| 300 | 300 | 200 | Z-33/200 | 1 | B | 150 | • | • | | | | |
| 400 | 300 | 150 | Z-43/150 | 1 | B | 200 | • | • | | | | |
| 400 | 300 | 200 | Z-43/200 | 1 | B | 200 | • | • | | | | |
| 400 | 400 | 200 | Z-44/200 | 1 | C | 200 | • | • | | | | |
| 400 | 600 | 250 | Z-46/250 | 1 | D | 200 | • | • | | | | |
| 400 | 600 | 300 | Z-46/300 | 1 | D | 200 | • | • | | | | |
| 500 | 400 | 150 | Z-54/150 | 1 | C | 125 | • | • | | | | |
| 500 | 400 | 200 | Z-54/200 | 1 | C | 125 | • | • | | | | |
| 500 | 400 | 250 | Z-54/250 | 1 | C | 125 | • | • | | | | |
| 500 | 500 | 250 | Z-55/550 | 1 | D | 125 | • | • | | | | |
| 600 | 400 | 150 | Z-64/150 | 1 | C | 125 | • | • | | | | |
| 600 | 400 | 200 | Z-64/200 | 1 | C | 125 | • | • | | | | |
| 600 | 400 | 250 | Z-64/250 | 1 | C | 125 | • | • | | | | |
| 600 | 500 | 150 | Z-65/150 | 1 | D | 125 | • | • | | | | |
| 600 | 500 | 200 | Z-65/200 | 1 | D | 125 | • | • | | | | |
| 600 | 500 | 250 | Z-65/250 | 1 | D | 125 | • | • | | | | |
| 600 | 600 | 250 | Z-66/250 | 1 | D | 125 | • | • | | | | |
| 600 | 600 | 300 | Z-66/300 | 1 | D | 125 | • | • | | | | |
| 700 | 500 | 200 | Z-75/200 | 1 | D | 125 | • | • | | | | |
| 700 | 500 | 250 | Z-75/200 | 1 | D | 125 | • | • | | | | |
| 800 | 600 | 200 | Z-86/200 | 1 | D | 125 | • | • | | | | |
| 800 | 600 | 250 | Z-86/250 | 1 | D | 125 | • | • | | | | |
| 800 | 600 | 300 | Z-86/300 | 1 | D | 125 | • | • | | | | |
| 800 | 800 | 200 | Z-88/200 | 2 | E | 125 | • | • | | | | |
| 800 | 800 | 300 | Z-88/300 | 2 | E | 125 | • | • | | | | |
| 1000 | 600 | 250 | Z-106/250 | 1 | D | 125 | • | • | | | | |
| 1000 | 600 | 300 | Z-106/300 | 1 | D | 125 | • | • | | | | |
| 1000 | 800 | 250 | Z-108/250 | 2 | E | 125 | • | • | | | | |
| 1000 | 800 | 300 | Z-108/300 | 2 | E | 125 | • | • | | | | |
| 1000 | 1000 | 300 | Z-1010/300 | 2 | F | - | • | • | | | | |
| 1200 | 800 | 300 | Z-128/3000 | 2 | F | - | • | • | | | | |
| 1200 | 1000 | 300 | Z-1210/300 | 2 | F | - | • | • | | | | |

*Weight of enclosures with plain door **Enclosures with three point locking system.

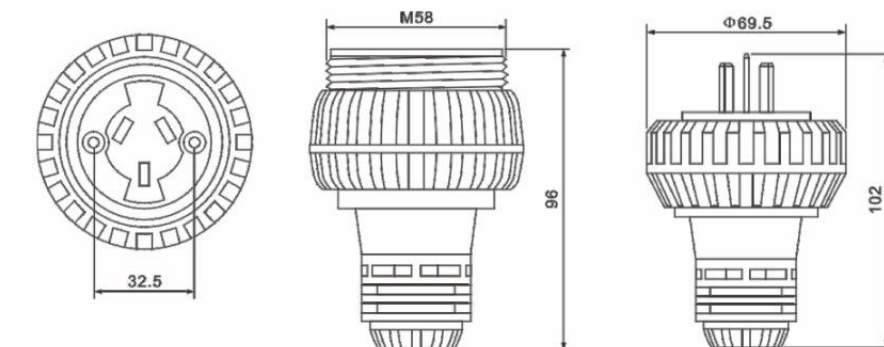
Male and Female plug

Features:

- Approval No.: SAA-151883-EA, SAA151879 and SAA161520
- Standard: AS/NZS3123 and AS/NZS 3112, AS/NZS 3100
- Rated Voltage: 250V AC/500VAC
- Rated Frequency: 50/60HZ
- IP Protection: IP66

| Part. No. | Description | Rating (Amp) | Voltage (V) | No. of Phase |
|------------|--------------------------|--------------|-------------|--------------|
| Z66P31OF | 3 Flat Pins Male Plug | 10 | 250 | 1 |
| Z66P3 15F | 3 Flat Pins Male Plug | 15 | 250 | 1 |
| Z66P310 | 3 Round Pins Male Plug | 10 | 250 | 1 |
| Z66P320 | 3 Round Pins Male Plug | 20 | 250 | 1 |
| Z66P332 | 3 Round Pins Male Plug | 32 | 250 | 1 |
| Z66SCS31OF | 3 Flat Pins Female Plug | 10 | 250 | 1 |
| Z66SCS315F | 3 Flat Pins Female Plug | 15 | 250 | 1 |
| Z66SCS310 | 3 Round Pins Female Plug | 10 | 250 | 1 |
| Z66SCS320 | 3 Round Pins Female Plug | 20 | 250 | 1 |
| Z66SCS332 | 3 Round Pins Female Plug | 32 | 250 | 1 |

Dimensions(mm)



Industrial Male plug

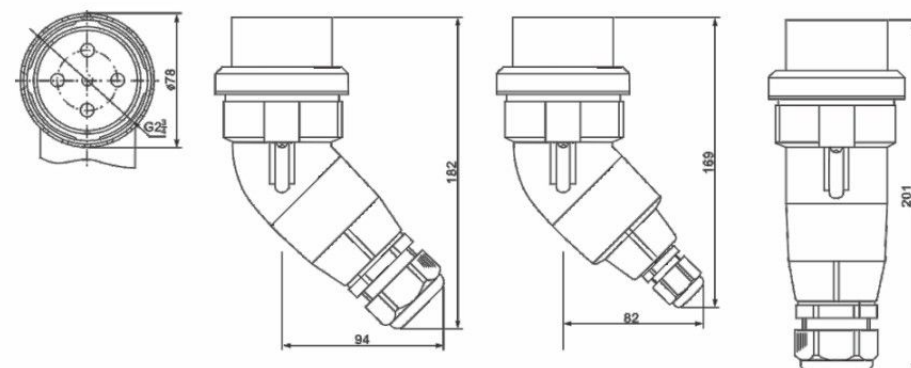
Features:

- Approval No.: SAA151879
- Standard: AS/NZS3123
- Rated Voltage:500V AC
- Rated Frequency:50/60Hz
- IP Protection:IP66



| Cat. No. | Description | Rating (Amp) | Voltage (V) | No. of Phase |
|-----------|---------------------------|--------------|-------------|--------------|
| Z66P410 | 4 Pins Straight Male Plug | 10 | 500 | 3 |
| Z66P420 | 4 Pins Straight Male Plug | 20 | 500 | 3 |
| Z66P432 | 4 Pins Straight Male Plug | 32 | 500 | 3 |
| Z66P440 | 4 Pins Straight Male Plug | 40 | 500 | 3 |
| Z66P450 | 4 Pins Straight Male Plug | 50 | 500 | 3 |
| Z66P510 | 5 Pins Straight Male Plug | 10 | 500 | 3 |
| Z66P520 | 5 Pins Straight Male Plug | 20 | 500 | 3 |
| Z66P532 | 5 Pins Straight Male Plug | 32 | 500 | 3 |
| Z66P540 | 5 Pins Straight Male Plug | 40 | 500 | 3 |
| Z66P550 | 5 Pins Straight Male Plug | 50 | 500 | 3 |
| Z66PA4 10 | 4 Pins Angled Male Plug | 10 | 500 | 3 |
| Z66PA420 | 4 Pins Angled Male Plug | 20 | 500 | 3 |
| Z66PA432 | 4 Pins Angled Male Plug | 32 | 500 | 3 |
| Z66PA440 | 4 Pins Angled Male Plug | 40 | 500 | 3 |
| Z66PA450 | 4 Pins Angled Male Plug | 50 | 500 | 3 |
| Z66PA510 | 5 Pins Angled Male Plug | 10 | 500 | 3 |
| Z66PA520 | 5 Pins Angled Male Plug | 20 | 500 | 3 |
| Z66PA532 | 5 Pins Angled Male Plug | 32 | 500 | 3 |
| Z66PA540 | 5 Pins Angled Male Plug | 40 | 500 | 3 |
| Z66PA550 | 5 Pins Angled Male Plug | 50 | 500 | 3 |

Dimensions(mm)



Extension Socket

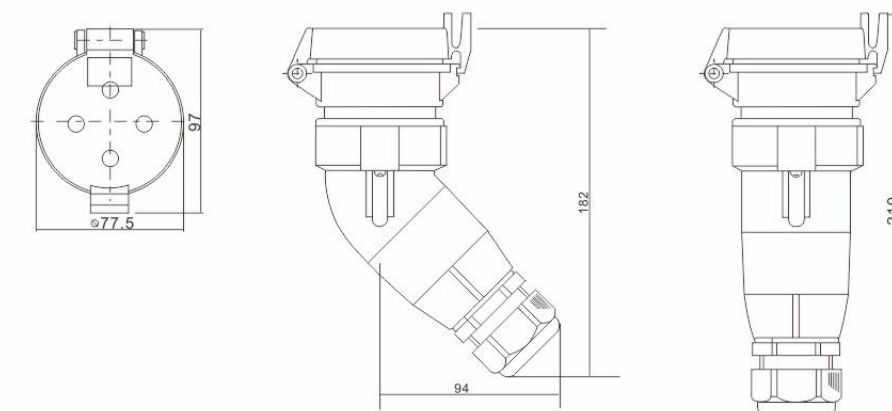
Features:

- Approval No.: SAA161520
- Standard: AS/NZS3123
- Rated Voltage:500V AC
- Rated Frequency:50/60Hz
- IP Protection:IP66



| Part No. | Description | Rating (Amp) | Voltage (V) | No. of Phase |
|------------|-----------------------------|--------------|-------------|--------------|
| Z66SCS410 | 4 Pins Straight Female Plug | 10 | 500 | 3 |
| Z66SCS420 | 4 Pins Straight Female Plug | 20 | 500 | 3 |
| Z66SCS432 | 4 Pins Straight Female Plug | 32 | 500 | 3 |
| Z66SCS440 | 4 Pins Straight Female Plug | 40 | 500 | 3 |
| Z66SCS450 | 4 Pins Straight Female Plug | 50 | 500 | 3 |
| Z66SCS510 | 5 Pins Straight Female Plug | 10 | 500 | 3 |
| Z66SCS520 | 5 Pins Straight Female Plug | 20 | 500 | 3 |
| Z66SCS532 | 5 Pins Straight Female Plug | 32 | 500 | 3 |
| Z66SCS540 | 5 Pins Straight Female Plug | 40 | 500 | 3 |
| Z66SCS550 | 5 Pins Straight Female Plug | 50 | 500 | 3 |
| Z66SCSA410 | 4 Pins Angled Female Plug | 10 | 500 | 3 |
| Z66SCSA420 | 4 Pins Angled Female Plug | 20 | 500 | 3 |
| Z66SCSA432 | 4 Pins Angled Female Plug | 32 | 500 | 3 |
| Z66SCSA440 | 4 Pins Angled Female Plug | 40 | 500 | 3 |
| Z66SCSA450 | 5 Pins Angled Female Plug | 50 | 500 | 3 |
| Z66SCSA510 | 5 Pins Angled Female Plug | 10 | 500 | 3 |
| Z66SCSA520 | 5 Pins Angled Female Plug | 20 | 500 | 3 |
| Z66SCSA532 | 5 Pins Angled Female Plug | 32 | 500 | 3 |
| Z66SCSA540 | 5 Pins Angled Female Plug | 40 | 500 | 3 |
| Z66SCSA550 | 5 Pins Angled Female Plug | 50 | 500 | 3 |

Dimensions(mm)



Industrial Socket

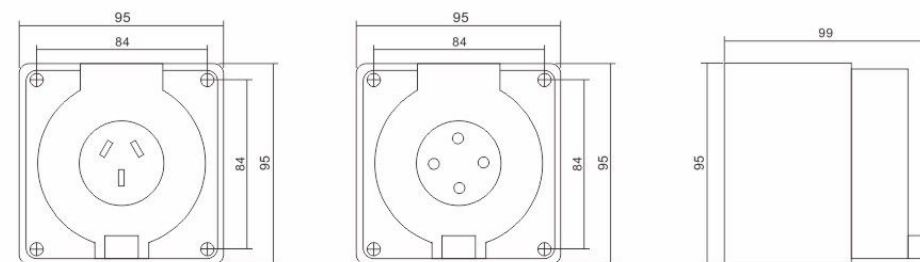
Features:

- Approval No.: SAA-151884-EA and SAA151880
- Standard: AS/NZS 3112, AS/NZS 3100, AS/NZS 3123
- Rated Voltage: 250V/500V AC
- Rated Frequency: 50/60Hz
- IP Protection: IP66



| Part No. | Description | Rating (Amp) | Voltage (V) | No. of Phase |
|-----------|---------------------------|--------------|-------------|--------------|
| Z66S0310F | 3 Flat Pin Socket Outlet | 10 | 250 | 1 |
| Z66S0315F | 3 Flat Pin Socket Outlet | 15 | 250 | 1 |
| Z66S0320F | 3 Flat Pin Socket Outlet | 20 | 250 | 1 |
| Z66S0310 | 3 Round Pin Socket Outlet | 10 | 250 | 3 |
| Z66S0320 | 3 Round Pin Socket Outlet | 20 | 250 | 3 |
| Z66S0332 | 3 Round Pin Socket Outlet | 32 | 250 | 3 |
| Z66S0410 | 4 Round Pin Socket Outlet | 10 | 500 | 3 |
| Z66S0420 | 4 Round Pin Socket Outlet | 20 | 500 | 3 |
| Z66S0432 | 4 Round Pin Socket Outlet | 32 | 500 | 3 |
| Z66S0440 | 4 Round Pin Socket Outlet | 40 | 500 | 3 |
| Z66S0450 | 4 Round Pin Socket Outlet | 50 | 500 | 3 |
| Z66S0510 | 5 Round Pin Socket Outlet | 10 | 500 | 3 |
| Z66S0520 | 5 Round Pin Socket Outlet | 20 | 500 | 3 |
| Z66S0532 | 5 Round Pin Socket Outlet | 32 | 500 | 3 |
| Z66S0540 | 5 Round Pin Socket Outlet | 40 | 500 | 3 |
| Z66S0550 | 5 Round Pin Socket Outlet | 50 | 500 | 3 |

Dimensions(mm)



Combination Switched Socket

Features:

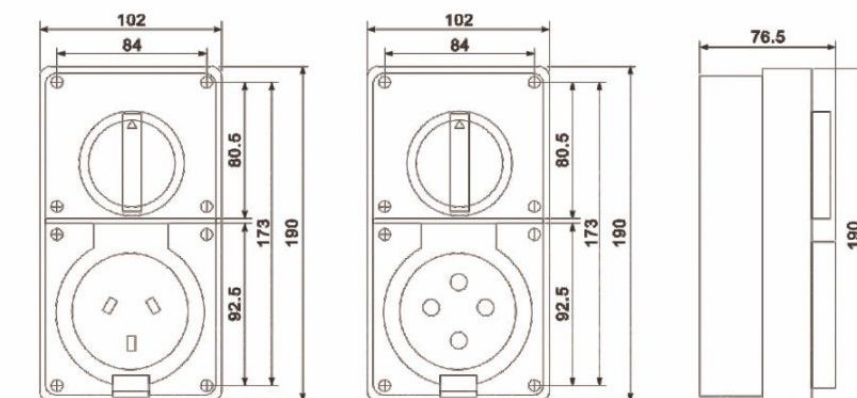
- Approval No.: SAA-151885-EA and SAA151881
- Standard: AS/NZS3112, AS/NZS3133, AS/NZS3123, AS/NZS3947.3
- Rated Voltage: 250/500V AC
- Rated Frequency: 50/60Hz
- Utilization Category: AC22A
- IP Protection: IP66



AB66CV Series of Surface Mounting

| Part No. | Description | Rating (Amp) | Voltage (V) | No. of Phase |
|-----------|------------------------------|--------------|-------------|--------------|
| Z66CV310F | 3 Flat Pins Switched Socket | 10 | 250 | 1 |
| Z66CV315F | 3 Flat Pins Switched Socket | 15 | 250 | 1 |
| Z66CV320F | 3 Flat Pins Switched Socket | 20 | 250 | 1 |
| Z66CV310 | 3 Round Pins Switched Socket | 10 | 250 | 1 |
| Z66CV320 | 3 Round Pins Switched Socket | 20 | 250 | 1 |
| Z66CV332 | 3 Round Pins Switched Socket | 32 | 250 | 1 |
| Z66CV410 | 4 Round Pins Switched Socket | 10 | 500 | 3 |
| Z66CV420 | 4 Round Pins Switched Socket | 20 | 500 | 3 |
| Z66CV432 | 4 Round Pins Switched Socket | 32 | 500 | 3 |
| Z66CV440 | 4 Round Pins Switched Socket | 40 | 500 | 3 |
| Z66CV450 | 4 Round Pins Switched Socket | 50 | 500 | 3 |
| Z66CV510 | 5 Round Pins Switched Socket | 10 | 500 | 3 |
| Z66CV520 | 5 Round Pins Switched Socket | 20 | 500 | 3 |
| Z66CV532 | 5 Round Pins Switched Socket | 32 | 500 | 3 |
| Z66CV540 | 5 Round Pins Switched Socket | 40 | 500 | 3 |
| Z66CV550 | 5 Round Pins Switched Socket | 50 | 500 | 3 |

Dimensions(mm)



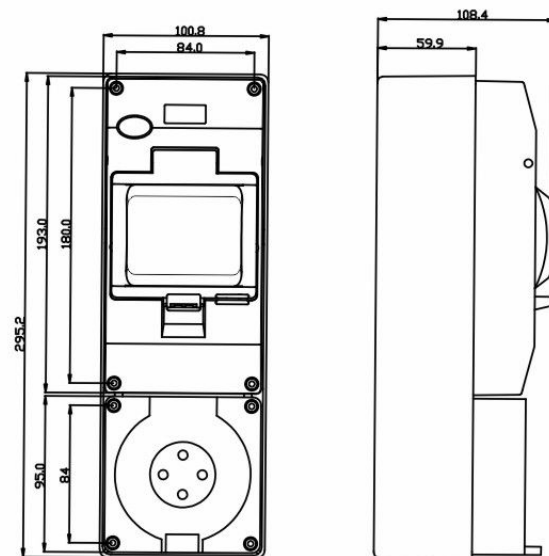
Combination Switched Sockets

Features:

- Socket Standard: S/NZS3112, AS/NZS3133, AS/NZS3123, AS/NZS3100
- Rated Voltage: 250/500V AC
- Rated Frequency: 50/60Hz
- RCD Standard: IEC61008, IEC61009
- IP Protection: IP66



| Cat. No. | Description | Voltage (V) | No. of Phase |
|--------------|----------------------------------|-------------|--------------|
| Z66SO310FRCD | 3 Flat Pins 10A, 2 Pole 25A RCD | 250 | 1 |
| Z66SO315FRCD | 3 Flat Pins 15A, 2 Pole 25A RCD | 250 | 1 |
| Z66SO332RCD | 3 Round Pins 32A, 2 Pole 40A RCD | 250 | 1 |
| Z66SO410RCD | 4 Round Pins 10A, 4 Pole 25A RCD | 500 | 3 |
| Z66SO420RCD | 4 Round Pins 20A, 4 Pole 25A RCD | 500 | 3 |
| Z66SO432RCD | 4 Round Pins 32A, 4 Pole 40A RCD | 500 | 3 |
| Z66SO510RCD | 5 Round Pins 10A, 4 Pole 25A RCD | 500 | 3 |
| Z66SO520RCD | 5 Round Pins 20A, 4 Pole 25A RCD | 500 | 3 |
| Z66SO532RCD | 5 Round Pins 32A, 4 Pole 40A RCD | 500 | 3 |
| Z66SO540RCD | 5 Round Pins 40A, 4 Pole 63A RCD | 500 | 3 |
| Z66SO550RCD | 5 Round Pins 50A, 4 Pole 63A RCD | 500 | 3 |



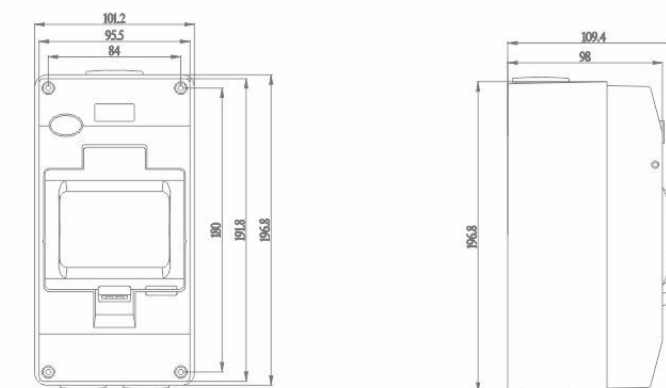
Combination Switched Sockets

Features:

- Switch Socket Standard: S/NZS3112, AS/NZS3133, AS/NZS3123, AS/NZS3100, AS/NZS3947.3
- RCD Standard: IEC61008, IEC61009
- Rated Voltage: 250/500V AC
- Rated Frequency: 50/60Hz
- IP Protection: IP66

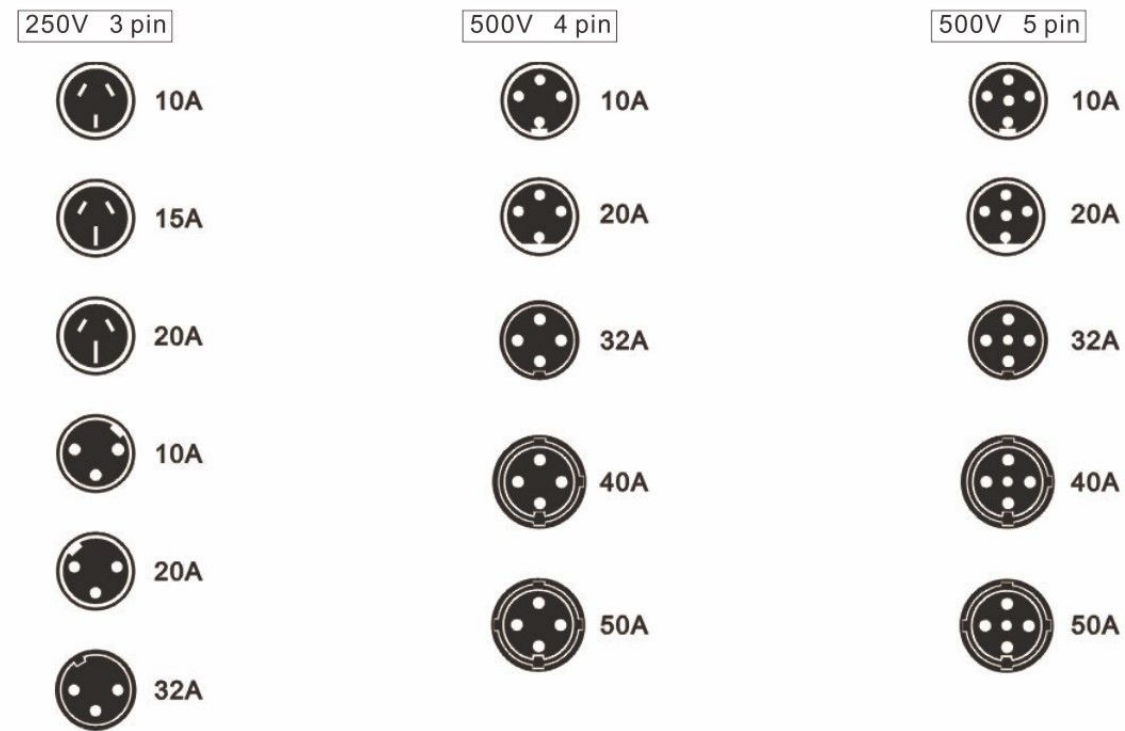


| Part No. | Description | Voltage (V) | No. of Phase |
|--------------|----------------------------------|-------------|--------------|
| Z66CV310FRCD | 3 Flat Pins 10A, 2 Pole 25A RCD | 250 | 1 |
| Z66CV315FRCD | 3 Flat Pins 15A, 2 Pole 25A RCD | 250 | 1 |
| Z66CV332RCD | 3 Round Pins 32A, 2 Pole 40A RCD | 250 | 1 |
| Z66CV410RCD | 4 Round Pins 10A, 4 Pole 25A RCD | 500 | 3 |
| Z66CV420RCD | 4 Round Pins 20A, 4 Pole 25A RCD | 500 | 3 |
| Z66CV432RCD | 4 Round Pins 32A, 4 Pole 40A RCD | 500 | 3 |
| Z66CV510RCD | 5 Round Pins 10A, 4 Pole 25A RCD | 500 | 3 |
| Z66CV520RCD | 5 Round Pins 20A, 4 Pole 25A RCD | 500 | 3 |
| Z66CV532RCD | 5 Round Pins 32A, 4 Pole 40A RCD | 500 | 3 |
| Z66CV540RCD | 5 Round Pins 40A, 4 Pole 63A RCD | 500 | 3 |
| Z66CV550RCD | 5 Round Pins 50A, 4 Pole 63A RCD | 500 | 3 |

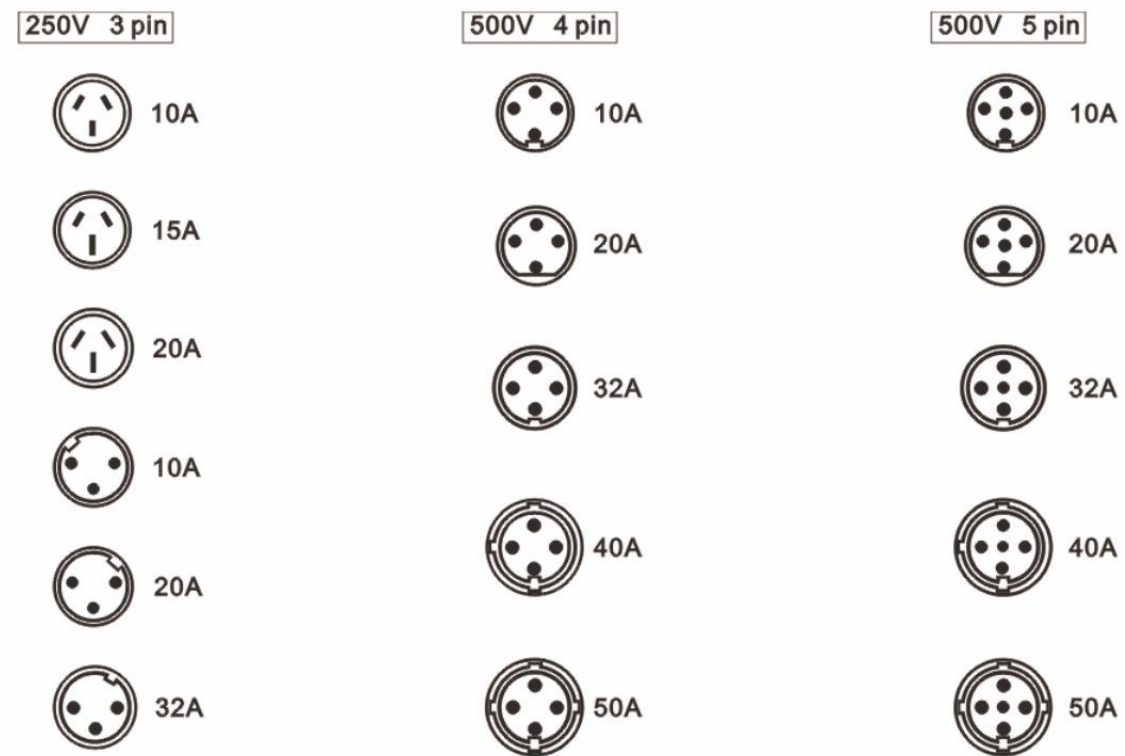


Plug Socket Pattern

Plug Patterns



Socket Patterns



Rotary Isolating Switch

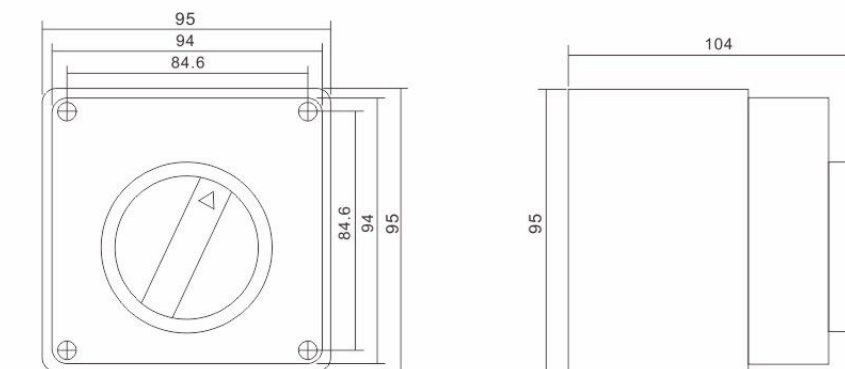
Features:

- Approval No.: SAA-151886-EAand SAA151882
- Certified to:AS/NZS3133, AS/NZS3100, IEC60947-3, AS/NZ3947.3, AS 60947.1
- Rated Voltage:250/500VAC
- Rated Frequency:50/60HZ
- Utilization Category:AC22A
- IP Protection:IP66



| Cat. No. | Rating (Amp) | Voltage (V) | Rated operational currentle | | | No.of Phase |
|-----------|--------------|-------------|-----------------------------|-------|-------|-------------|
| | | | AC21A | AC22A | AC23A | |
| Z66SW110 | 10A | 250 | 10 | 8 | 8 | 1 |
| Z66SW115 | 15A | 250 | 10 | 10 | 10 | 1 |
| Z66SW120 | 20A | 250 | 20 | 20 | 20 | 1 |
| Z66SW2 15 | 15A | 500 | 10 | 10 | 10 | 2 |
| Z66SW220 | 20A | 500 | 20 | 20 | 20 | 2 |
| Z66SW232 | 32A | 500 | 32 | 32 | 20 | 2 |
| Z66SW240 | 40A | 500 | 40 | 40 | 25 | 2 |
| Z66SW250 | 50A | 500 | 50 | 50 | 25 | 2 |
| Z66SW263 | 63A | 500 | 63 | 63 | 25 | 2 |
| Z66SW315 | 15A | 500 | 10 | 10 | 10 | 3 |
| Z66SW320 | 20A | 500 | 20 | 20 | 20 | 3 |
| Z66SW332 | 32A | 500 | 32 | 32 | 20 | 3 |
| Z66SW340 | 40A | 500 | 40 | 40 | 25 | 3 |
| Z66SW350 | 50A | 500 | 50 | 50 | 25 | 3 |
| Z66SW363 | 63A | 500 | 63 | 63 | 25 | 3 |

Dimensions(mm)



Neutral / Active Link



Part No.: Z-NLAL4T
500V 140A4 Hole Link
Black or red base and cover
3 terminal tunnels: 7.0mm
accommodate up to 25mm² cables.
1 terminal tunnels: 8.5mm
accommodate up to 35mm² cables.



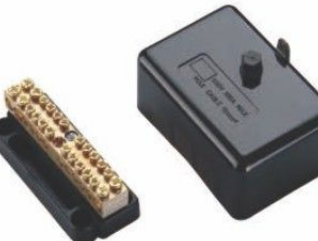
Part No.: Z-NLAL5
500V 100A 5 Hole Link
Black or red base and cover
3 terminal tunnels: 5.5mm,
accommodate up to 16mm² cables.
2 terminal tunnels: 8.0mm,
accommodate up to 25mm² cables.



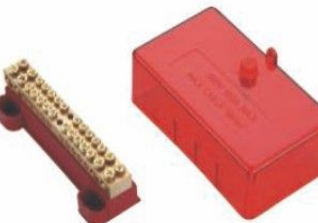
Part No.: Z-NUAL7
500V 100A 7 Hole Link
Black or red base and cover
5 terminal tunnels: 4.8mm,
accommodate up to 16mm² cables.
2 terminal tunnels: 8.0mm,
accommodate up to 25mm² cables.



Part No.: Z-NUAL10
500V 100A 10 Hole Link
Black or red base and cover
7 terminal tunnels: 5.5mm,
accommodate up to 16mm² cables.
3 terminal tunnels: 7.6mm,
accommodate up to 25mm² cables.



Part No.: Z-NL/AL12
500V 100A 12 Hole Link
Black or red base and cover
9 terminal tunnels: 4.5mm,
accommodate up to 10mm² cables.
3 terminal tunnels: 6.4mm,
accommodate up to 16mm² cables.



Part No.: Z-NU/AL14
500V 100A 14 Hole Link
Black or red base and cover
10 terminal tunnels: 4.5mm,
accommodate up to 10mm² cables.
4 terminal tunnels: 7.5mm,
accommodate up to 25mm² cables.

Neutral / Active Link



Part No.: Z-NU/AL165/7
500V 165A 7 Hole Link
Black or red base and cover
2 terminal tunnels: 2.5mm, accommodate up to 16mm² cables.
2 terminal tunnels: 7.0mm, accommodate up to 25mm² cables.
1 terminal tunnels: 8.0mm, accommodate up to 35mm² cables.
2 terminal tunnels: 10.0mm, accommodate up to 50mm² cables.



Part No.: Z-NU/AL165/13
500V 165A 13 Hole Link
Black or red base and cover
2 terminal tunnels: 4.8mm, accommodate up to 10mm² cables.
8 terminal tunnels: 6.6mm, accommodate up to 16mm² cables.
1 terminal tunnels: 8.0mm, accommodate up to 35mm² cables.
2 terminal tunnels: 10.0mm, accommodate up to 50mm² cables.



Part No.: Z-NL/AL350/7
500V 350A 7 Hole Link
Black or red base and cover
1 terminal tunnels: 5.5mm, accommodate up to 16mm² cables.
2 terminal tunnels: 9.5mm, accommodate up to 50mm² cables.
2 terminal tunnels: 8.0mm, accommodate up to 35mm² cables.
2 terminal tunnels: 15.3mm, accommodate up to 120mm² cables.
Allen Key enclosed



Part No.: Z-NU/AL350/13
500V 350A 13 Hole Link
Black or red base and cover
2 terminal tunnels: 4.6mm, accommodate up to 10mm² cables.
8 terminal tunnels: 5.5mm, accommodate up to 16mm² cables.
1 terminal tunnels: 8.0mm, accommodate up to 35mm² cables.
2 terminal tunnels; 15.3mm, accommodate up to 120mm² cables.
Allen Key enclosed



Part No.: Z-NU/AL370/7
500V 370A 7 Hole Link
Black or red base and cover
2 terminal tunnels: 5.8mm, accommodate up to 16mm² cables.
2 terminal tunnels: 11.0mm, accommodate up to 50mm² cables.
1 terminal tunnels: 15.0mm, accommodate up to 120mm² cables.
2 terminal tunnels: 17.0mm, accommodate up to 150mm² cables.
Allen Key enclosed

Plug Bases



Part No.:Z-PBS
Single Plug Base



Part No.:Z-PB2
Double Plug Base

Features:

- Volts:250V
- Amp:10A
- Pin No:3 Flat Pin
- Dimensions single: 95mm(Width)66(Diameter)58mm(H)
- Dimensions Double: 95mm(Width)66(Diameter)74mm(H)
- Mounting Centres:50mm
- Terminals:4 Terminals which accommodate 4x4mm² cables
- Certified with AS/NZS 3112 and AS/NZS 3100
- Approval No.: SAA-171305-EA, TUV16374EA



Part No.:Z1-QCSS



Part No.:Z-QCSS

Quick Connect Surface Socket

Features:

- Volts:250V
- Amp:10A
- Pin No:3 Flat Pin
- Certified with AS/NZS 3112 and AS/NZS 3100
- Approval No.: SAA-161229-EA, SAA-150318-EA,

Features:

- Accommodate up to 7 x 2.5mm² cables
- Insulator-Blue flame retardant PVC
- Deep Screw Head provides easy tightening
- Combination Phillips/Flat
- 32A 240/415V



Part No.:AB-SC1
Single Screw Connector 100PK



Part No.:AB-SC2
Double Screw Connector 50PK



Flat end screw

Insulator-Blue flame resistant PVC

Deep Screw Head provides easy tightening
Combination Phillips/Flat



Features:

Part No: Z-ISC216

Accommodate up to 2 x 16mm² cables

Part No: Z-ISC235

Accommodate up to 2 x 35mm² cables

*Insulated Screw Connector

*Insulator-Light Blue flame retardant PVC

*Combination Phillips/Flat

Earth Link bars

Features:

Part No.:

Z-ELB6, Z-ELB8, Z-ELB12,
Z-ELB18, Z-ELB24, Z-ELB36,
Z-ELB48, Z-ELB60, Z-ELB72

Descriptions: 165A, 2 studs to suit cable lugs.

Available in different hole configuration.

***The items can be made according to requires.

Batten Holders

Features:

- Rated Voltage: 250V a.c. 50Hz
- 150W Maximum Rating
- Base diameter 70mm with 50 to 53mm mounting centres.
- Terminals: 4 Terminals which accommodate 4X2.5mm² cables
- Batten Holder-Bayonet fitting B22
- Certified with AS/NZS 61184
- Approval No.:TUV16394EA

Description

- White batten holder-Bayonet fitting(B22)



Part No.: Z-BH1
Batten Holder



Part No.: Z-BH2
Batten Holder with Plugs



Junction box

Features:

Large Junction Box with connectors
Part No.:Z-LJB
Dimensions(mm): 100(L)x65(W)x48(H)
Includes connectors

Small Junction Box with connectors
Part No.:Z- SJB
Dimensions(mm): 81(L)x61(W)x40(H)
Includes connectors



Mounting Block

Features:

High Mounting Block Height 37mm
Dimensions(mm): 123(L)x75(W)x37(H)
Part No.: Z-MB37

Shallow Mounting Block Height 18mm
Dimensions(mm): 119(L)x75(W)x18(H)
Part No.:Z-MB18



Quality Certification and Protection Grade

Passed the testing and certification of CE,RoHS and the protection grade reaches IP67, which is very safe; it won't be fed with water when it is working even if in a heavy rain.

Scope of Application:

The waterproof junction box is mainly applicable for interior and outdoor electric, communication, firefighting equipment, iron and steel smelting, petrochemical industry, electronic, electric, railway, construction site, mines, mining areas, airports, hotels, shipping, large factories, coastal factories, discharging quay equipment, treatment facilities of sewage and wastewater, as well as environmental hazard facilities et



Junction box of Surface Mounting

| Part No. | Dimensions(mm) | | | Qty/Ctn(pcs) |
|----------|----------------|-----|-----|--------------|
| | W | L | H | |
| Z-060905 | 65 | 95 | 55 | 160 |
| Z-081107 | 80 | 110 | 70 | 90 |
| Z-081108 | 80 | 110 | 85 | 75 |
| Z-081307 | 80 | 130 | 70 | 140 |
| Z-081308 | 80 | 130 | 85 | 120 |
| Z-101007 | 100 | 100 | 75 | 140 |
| Z-101009 | 100 | 100 | 90 | 112 |
| Z-081807 | 80 | 180 | 70 | 100 |
| Z-082507 | 80 | 250 | 70 | 70 |
| Z-082508 | 80 | 250 | 85 | 60 |
| Z-121207 | 125 | 125 | 75 | 60 |
| Z-121209 | 125 | 125 | 90 | 45 |
| Z-121707 | 125 | 175 | 75 | 60 |
| Z-121710 | 125 | 175 | 100 | 48 |
| Z-141709 | 140 | 170 | 95 | 45 |
| Z-171710 | 175 | 175 | 100 | 36 |
| Z-152010 | 150 | 200 | 100 | 40 |
| Z-202009 | 200 | 200 | 95 | 30 |
| Z-152510 | 150 | 250 | 100 | 32 |
| Z-192813 | 190 | 280 | 130 | 16 |



Part No.: Z-SJB1
Shallow 20mm 1 Way



Part No.: Z-SJB2
Shallow 20mm 2 Way



Part No.: Z-SJB2
Shallow 20mm 2 Way/Angle



Part No.: Z-SJB3
Shallow 20mm 3 Way



Part No.: Z-SJB4
Shallow 20mm 4 Way



Part No.: Z-DJB1
Deep 20mm 1 Way



Part No.: Z-DJB2
Deep 20mm 2 Way



Part No.: Z-DJB2
Deep 20mm 2 Way/Angle



Part No.: Z-DJB3
Deep 20mm 3 Way



Part No.: Z-DJB4
Deep 20mm 4 Way



Part No.: Z-DC
Disposable Cover



Part No.: Z-MT
X-Mass Tree Plug



Part No.: Z-GC1620
Girder Clip 16-20mm
1.0mm



Part No.: Z-GC2532
Girder Clip 25-32mm
1.2mm



Part No.: Z-PC
Plaster Clip 1.0mm



Part No.: Z-SB
Right Angle Mounting Stud
Bracket 1.0mm



Part No.: Z-SBL
Right Angle Mounting Stud
Bracket Large 1.0mm



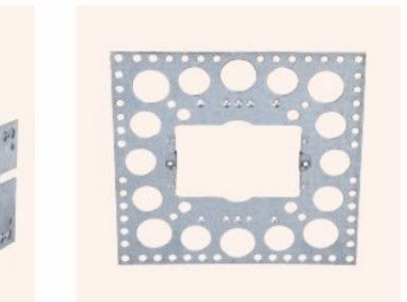
Part No.: Z-HB
Horizontal Bracket with
nails 1.2mm



Part No.: Z-VB
Vertical Bracket with
nails 1.2mm



Part No.: Z-UB
Universal Bracket 1.2mm



Part No.: Z-PB
Plaster Bracket 1.0mm

Half Saddles

| Part No. | Description | Mounting Hole |
|----------|-------------|---------------|
| Z-HS16 | 16mm | 5.5 or 6.5mm |
| Z-HS20 | 20mm | 6.5mm |
| Z-HS25 | 25mm | 6.5mm |
| Z-HS32 | 32mm | 6.5mm |
| Z-HS40 | 40mm | 6.5mm |
| Z-HS50 | 50mm | 6.5mm |

Full Saddles

| Part No. | Description | Mounting Hole |
|----------|-------------|---------------|
| Z-FS16 | 16mm | 5.5 or 6.5mm |
| Z-FS20 | 20mm | 6.5mm |
| Z-FS25 | 25mm | 6.5mm |
| Z-FS32 | 32mm | 6.5mm |
| Z-FS40 | 40mm | 6.5mm |
| Z-FS50 | 50mm | 6.5mm |

*All saddles and brackets are heavy duty material thickness
*All saddles and brackets are hot dipped galvanised.